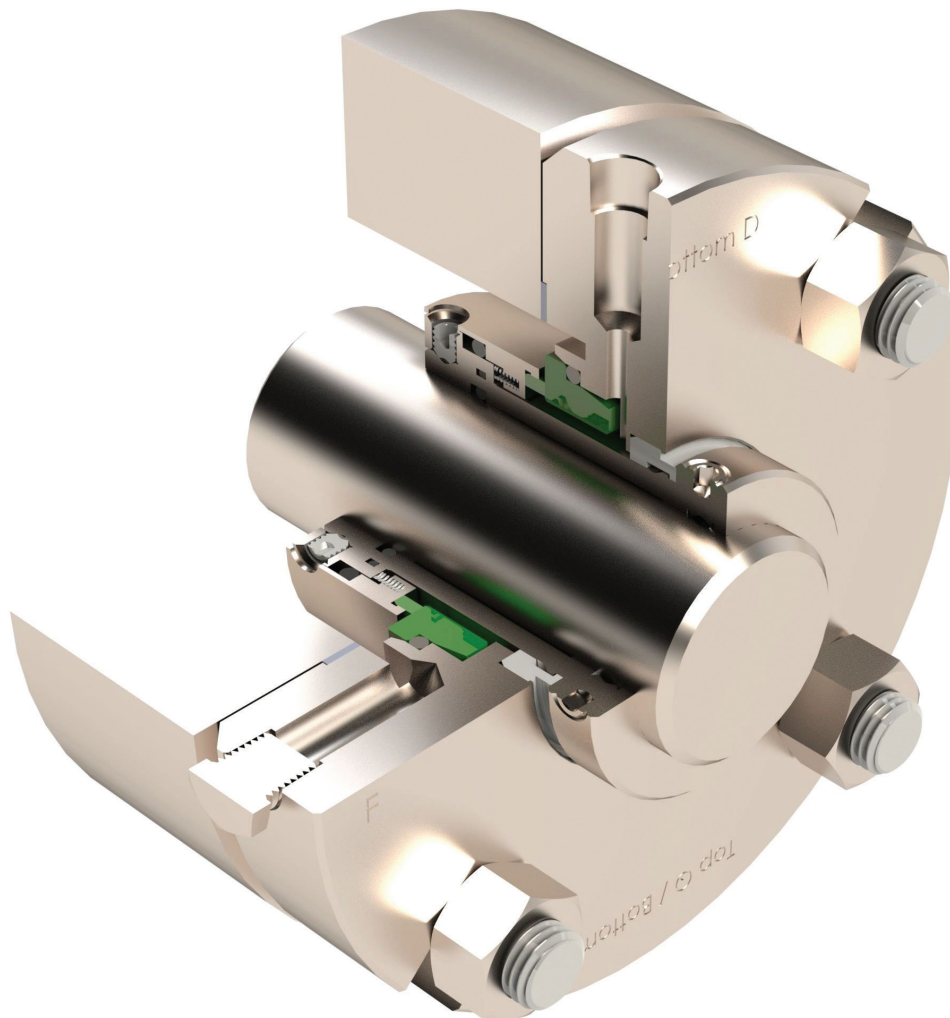
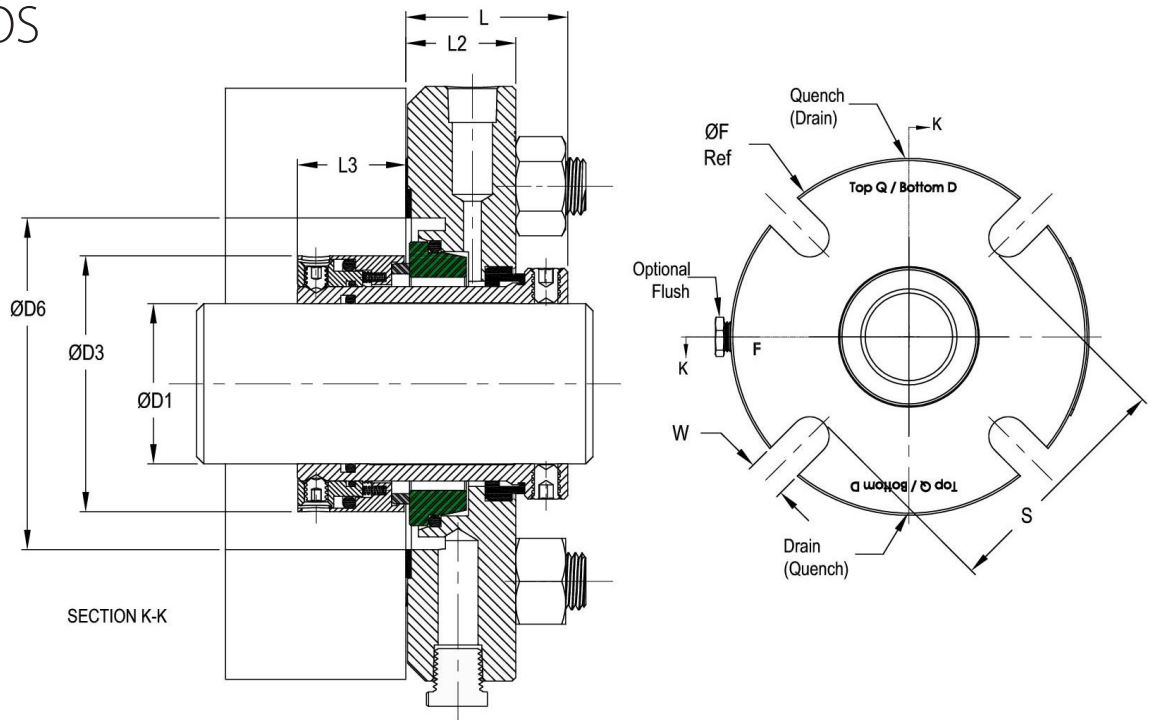


Type 160CQOS



- Heavy Duty Cartridge Seal for Imperial size Oversize/Big Seal Chambers
- Double Balanced for Pressurized or Unpressurized Service
- Robust Design for High Torque/Viscosity Applications
- Temperature Range from -30°C to 300°C
- Pressure to 40 bar depending on Size and Operating Conditions
- Speed to 25 m/s depending on Size and Operating Conditions

Type 160CQOS



Construction Materials

Metal Parts

- 316 SST – Standard
- Hastelloy C
- SuperDuplex and Specials
- Standard Hastelloy C Springs

Secondary Seals

- FluoroCarbon (Viton® or Equal)
- Ethylene Propylene
- NBR and Specials
- FFKM (Kalrez® or Equal)

Seal Ring Faces

- Resin Impregnated Carbon-Graphite
- Tungsten Carbide
- Silicon Carbide
- Electro-Graphite
- Food/Drug Compatible Materials
- Specials

Imperial Series

D1 +0.000 -0.002	D3 Ref Max	D6 Min	D6 Max	L Ref Max	L2 Ref Max	L3 Ref Max	F Ref	S Ref	W Ref
1.375	2.44	2.87	3.00	1.77	1.20	1.20	5.40	3.50	0.44
1.750	2.80	3.50	3.90	1.77	1.20	1.20	6.50	4.41	0.71
1.875	3.21	3.56	3.81	1.77	1.20	1.20	5.99	4.31	0.57
2.125	3.43	3.88	4.25	2.42	1.83	1.20	6.99	4.75	0.69
2.500	3.92	4.50	4.88	2.42	1.83	1.20	8.00	5.38	0.69
2.625	3.92	4.55	4.88	2.42	1.83	1.20	7.08	5.13	0.69
2.750	4.18	4.45	4.75	2.42	1.83	1.20	7.89	5.06	0.81

Other sizes available upon request

נשאר במקומו - עיצוב
מיושר לכתותרת משמאל

p/n PS160CQOS
Rev. A June 1, 2018

Disclaimer: Ettem Engineering reserves the right to change specifications without prior notification.

Ettem Engineering SA Ltd
Gevasol Group

POBox 442, Acco 2410302, Israel
Phone: 972-4-9810251
ettemeng@ettem.com
www.ettem.com