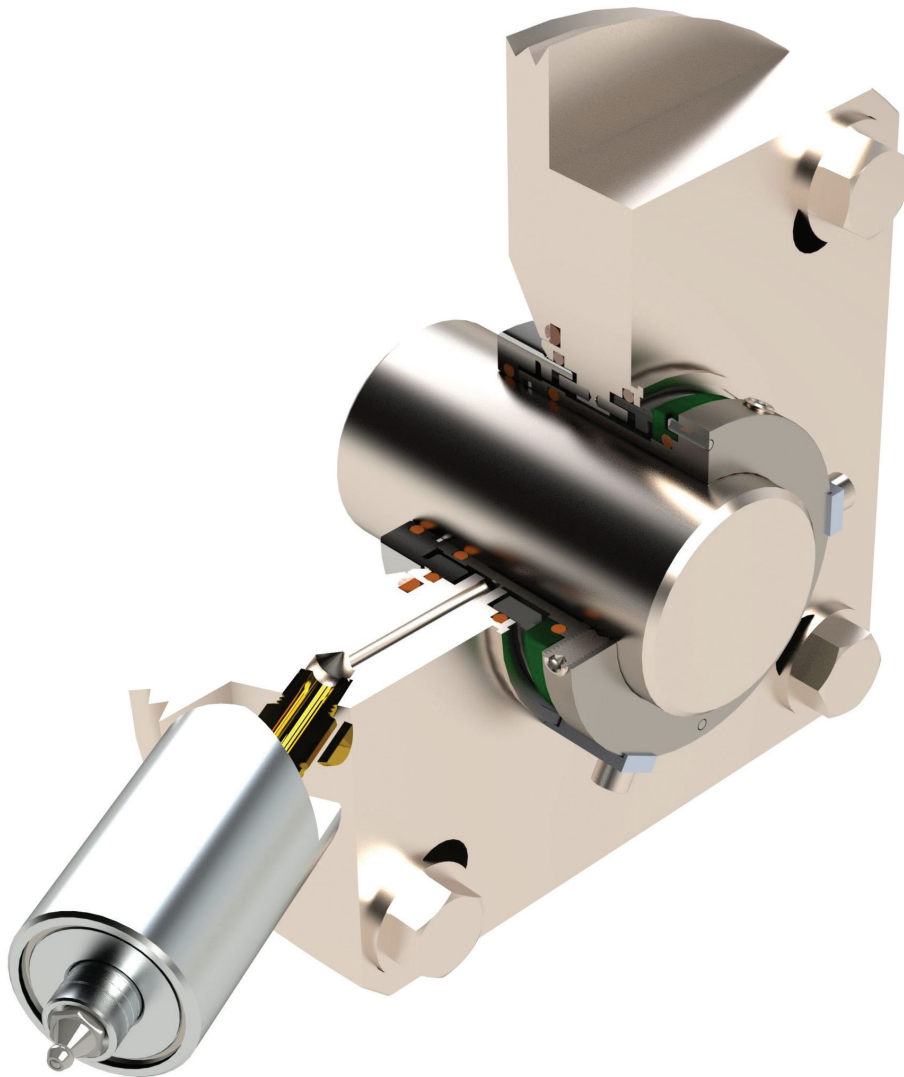
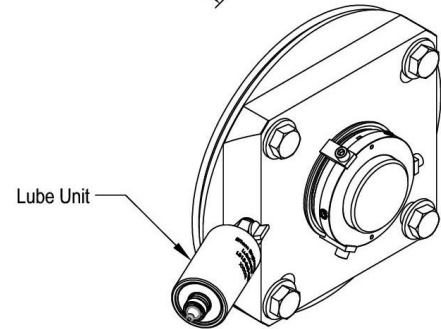
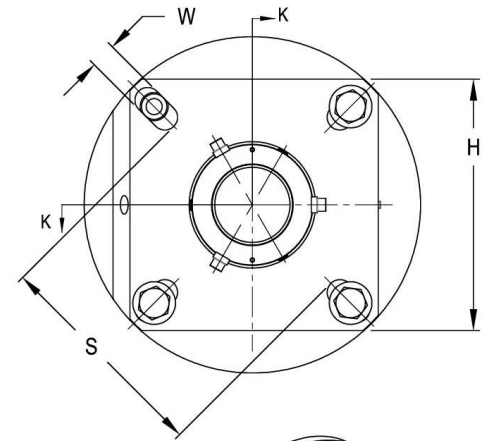
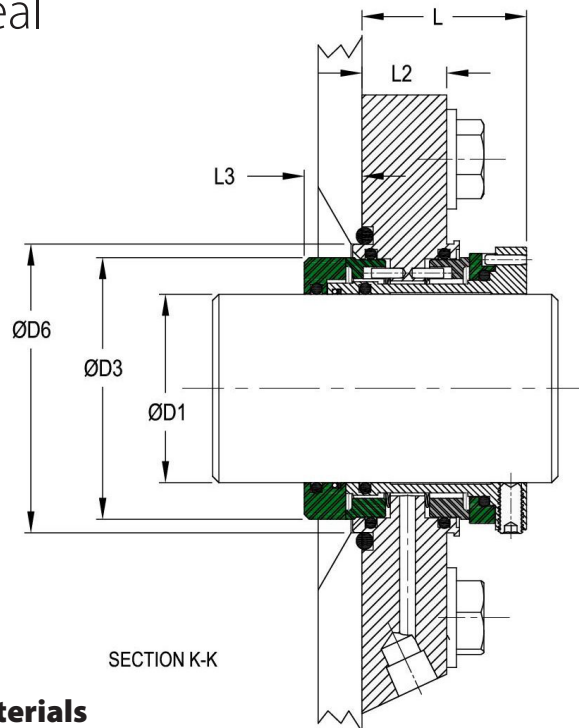


Type 240 Seal



- Heavy Duty Dual Cartridge Seal for Rotary Conveyors
- Application-Specific design
- Supplied in conjunction with unique Lube Unit for permanent pressurization of buffer area by specialty lubricant
- Optional FDA compatible materials on the Process side
- Designed for Minimal Erosion of surfaces by Solid Process Particles
- Temperature Range from -30°C to 150°C
- Pressure to 5 bar depending on Size and Operating Conditions
- Speed to 4 m/s depending on Size and Operating Conditions

Type 240 Seal



Construction Materials

Metal Parts

- 316 SST – Standard
- Standard Hastelloy C Springs

Secondary Seals

- FluoroCarbon (Viton® or Equal)
- Ethylene Propylene
- NBR and Specials
- FFKM (Kalrez® or Equal)

Seal Ring Faces

- Tungsten Carbide - standard
- Silicon Carbide
- Specials

Customer specifics

- ØD1
- ØD3 Max or ØD6
- L Max
- L3 Max
- H, S, W or equivalents

Ettem Engineering does the rest...

p/n PS240

Rev. A June 1, 2018

Disclaimer: Ettem Engineering reserves the right to change specifications without prior notification.



Ettem Engineering SA Ltd
Gevasol Group

POBox 442, Acco 2410302, Israel
Phone: 972-4-9810251
ettemeng@ettem.com
www.ettem.com